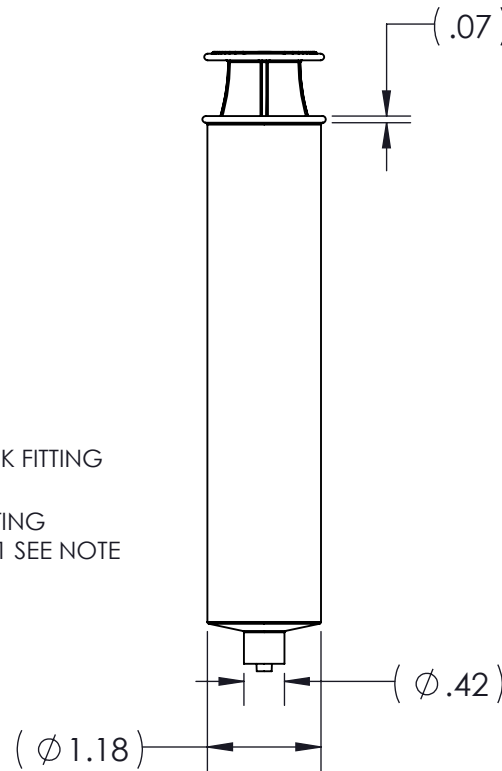


MALE LUER LOCK FITTING  
 PER ISO 594-2  
 MALE LUER LOCK FITTING  
 PER ISO 80369-7; 2021 SEE NOTE



**NOTES:**

**MATERIALS:**

- BARREL: POLYCARBONATE (CLEAR)
  - PLUNGER: ABS (WHITE)
  - SYRINGE TIP: SILICONE (BLACK)
  - ISO 80369-7 COMPLIANCE TRANSITION IN PROCESS (CONTACT A BUSINESS MANAGER)
- <https://meritoem.com/about/iso-80369-small-bore-connector-standard-iso-80369-7-for-vascular-and-intravenous-applications/>

	OEM	1600 West Merit Parkway South Jordan, Utah 84095	
		DRAWING TITLE: SYRINGE, MEDALLION, 60 mL, WHITE	
PART NUMBER:	MSS160P	REV.:	N/A
UNLESS OTHERWISE SPECIFIED DIMENSIONS ARE FOR REFERENCE ONLY. UNLESS OTHERWISE SPECIFIED DIMENSIONS ARE IN INCHES.		DATE:	07/31/2014