



# TUBING



LEADER IN FLUID MANAGEMENT

# Fluid Administration Sets

Fluid administration is a critical part of nearly every procedure. Merit Medical offers a broad selection of fluid management products, ranging from simple fluid spikes and drip chambers to complex trifurcated tubing sets. Merit Medical supplies fluid management products in sterile single pack and in pack/kit configurations. Custom and standard fluid management products are available.

**Tubing Material:**  
DEHP-free PVC



FAS1060P

## FEATURES & BENEFITS

Customizable	Various tubing lengths, luers and options available
DEHP-Free	Adheres to the latest standards
Turn-Key Packaging	Can be provided sterile with your logo

## SAMPLING OF PRODUCTS



24" Small Bore with User Selectable Macro Drip Chamber, 48" Small Bore Bifurcated with Roller Clamps, Male Luers ID 0.120", OD 0.160"

**FAS2072P**



24" Small Bore with User Selectable Macro Drip Chamber, 48" Small Bore Trifurcated with Roller Clamps, Male Luers ID 0.120", Inches: 24", OD 0.160"

**FAS3072P**



60" Small Bore, Non-Vented Macro Drip Chamber, Male Luer ID 0.120", Inches: 60", OD 0.160"

**FAS1260P**



108" Small Bore, Vented Macro Drip Chamber, Male Luer ID 0.120", Inches: 108", OD 0.160"

**FAS1108P**

### Fluid Administration Sets

For a complete list of part numbers, visit [www.MeritOEM.com/fluid-admin-sets](http://www.MeritOEM.com/fluid-admin-sets)

# High Pressure Tubing

To complement our extensive line of quality angiography accessories, Merit Medical has developed a complete line of high pressure tubing to meet all procedural requirements. These are available in various configurations, from flexible braided to clear PVC.



**Available Tubing Material:**

Tubing Material: PVC, Rigid,  
Non-Expanding

HPT481P

## FEATURES & BENEFITS

Clear, PVC Tubing Styles	Rated 1200, 900 and 500 psi (83, 62 and 34 bar)
Male Rotator Luer Connector	Allows 360-degree turning without disconnection
Male Fixed Luer Connector	Secure connection to the catheter
Airless Rotator	Minimizes possibility of trapped air

## SAMPLING OF PRODUCTS



1200 psi  
Male to Female  
Airless Rotating Adapter  
10" length (25cm)

**HPF100P**



1200 psi  
Male to Female  
Fixed Male Connector  
72" length (183cm)

**HPF721P**



1200 psi  
Male to Female  
Airless Rotating Adapter  
20" length (51cm)

**HPT200P**



500 psi  
Male to Female  
Fixed Male Connector  
48" length (122cm)

**HP5481P**



Excite™  
High Pressure Tubing  
1200 psi  
Male to Female  
Airless Rotating Adapter  
39" length (100cm)

**HPC390P**



Excite™  
High Pressure Tubing  
1200 psi  
Male to Female  
Fixed Male Connector  
48" length (122cm)

**HPC481P**

### High Pressure Tubing

For a complete list of part numbers, visit  
[www.MeritOEM.com/high-pressure-tubing](http://www.MeritOEM.com/high-pressure-tubing)

# Pressure Monitoring Tubing

Merit Medical pressure monitor tubing is available in many standard lengths and can be customized to meet your needs. Our high quality, insert molded luers eliminate bubbles. DEHP-free options are also available.

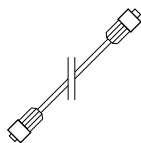
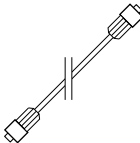
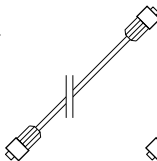
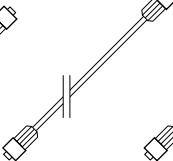
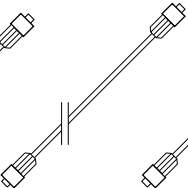
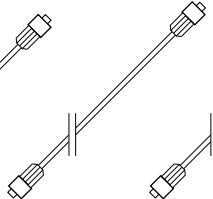
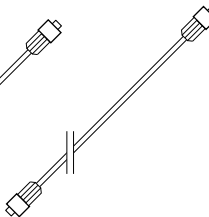


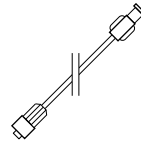
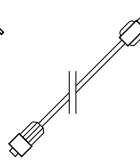
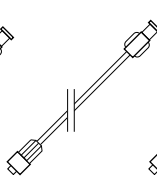
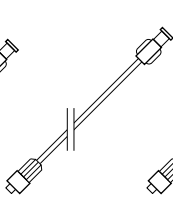
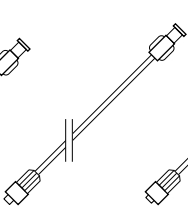
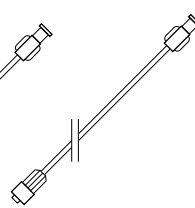
Tubing Material:  
Clear PVC


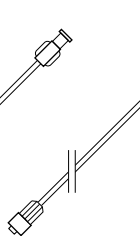
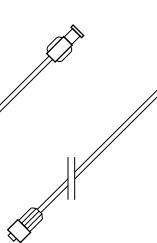
PM6072

## FEATURES & BENEFITS

Airless Rotator	Minimizes possibility of trapped air
Insert Molded Connectors	Strong, safe connections as compared to solvent bonds
Large Wings/Connectors	Easier to grip, attach or disconnect

							
Male to Male	6" Length (15cm)	12" Length (30cm)	24" Length (61cm)	36" Length (91cm)	48" Length (122cm)	60" Length (152cm)	72" Length (183cm)
	<b>PM6006P</b>	<b>PM6012P</b>	<b>PM6024P</b>	<b>PM6036P</b>	<b>PM6048P</b>	<b>PM6060P</b>	<b>PM6072P</b>

						
Male to Female	6" Length (15cm)	12" Length (30cm)	24" Length (61cm)	36" Length (91cm)	48" Length (122cm)	60" Length (152cm)
	<b>PM6106P</b>	<b>PM6112P</b>	<b>PM6124P</b>	<b>PM6136P</b>	<b>PM6148P</b>	<b>PM6160P</b>

			
Male to Female	72" Length (183cm)	84" Length (213cm)	96" Length (244cm)
	<b>PM6172P</b>	<b>PM6184P</b>	<b>PM6196P</b>

### Pressure Monitoring Tubing

For more information, visit  
[www.MeritOEM.com/pm-tubing](http://www.MeritOEM.com/pm-tubing)

# Contrast Transfer Sets

Merit Medical's line of contrast transfer sets is interchangeable for use with either contrast or saline solutions. The contrast transfer set features a wide base for insertion support when placing into the contrast bottle. Available with a large bore piercing spike and a large wing, swabbable valve. The saline transfer set has a longer, sharper spike tip for easier insertion into IV solution bags and a blue safety stripe for identification.



TS520L



## FEATURES & BENEFITS

Large Lumen Spike with Auto Vent	Provides high flow
Straight-through Design	Provides unimpeded flow
Interchangeable	Contrast or saline
Longer, Sharper Spike Tip	Easier insertion into IV solutions bags



CT Contrast Transfer Set with Filtered Sosa Spike, Swabbable Valve, ID 0.120"

**TS120**



Small Bore, Vented Valved Spike, Nexus Luer, ID 0.120"

**K08-01961A**



CT Saline Transfer Set with Blue Stripe Tubing and Longer Spike, Swabbable Valve, ID 0.120"

**TS220**



Vented, Valved Spike with Blue Stripe Tubing and Nexus Luer, ID 0.120"

**K08-02195**

### Contrast Transfer Sets

For more information, visit [www.MeritOEM.com/contrast-transfer-sets](http://www.MeritOEM.com/contrast-transfer-sets)

# Contrast Management

The Miser® contrast management system's exclusive orange ball and burette design prevents air from entering fluid lines during angiography, ensuring patient safety. The dual one-way check valve's microbial barrier blocks cross contamination. Automatic refill during each contrast withdrawal allows for quick and easy preparation. The Miser contrast management system reduces contrast waste—using larger contrast bottles saving time and money.



## FEATURES & BENEFITS

Vent Wings	Easy to initiate contrast flow
Bacterial Filters	Air inlet valve and stopcocks have ISO standard filters
30mL Burette	Easy visualization of contrast levels, easy to squeeze and fill, clearly marked gradients
Orange Floating Ball	Provides visual contrast level indicator in burette



72" Large Bore, (2) 1-Way Check Valves, 30mL Burette Valve, 3-Way Stopcock, Male Luers, ID 0.154" Inches: 60" OD 0.215"

**MISER2P**



72" Small Bore, (2) 1-Way Check Valves, 30mL Burette Valve, Male Luers, ID 0.117" Inches: 60" OD 0.162"

**MISER3P**



72" Small Bore, (2) 1-Way Check Valves, 30mL Burette Valve, 3-Way Stopcock, Male Luers, ID 0.117" Inches: 60" OD 0.162"

**MISER4P**



Miser Contrast Burette Spike Assembly

**MISER5P**

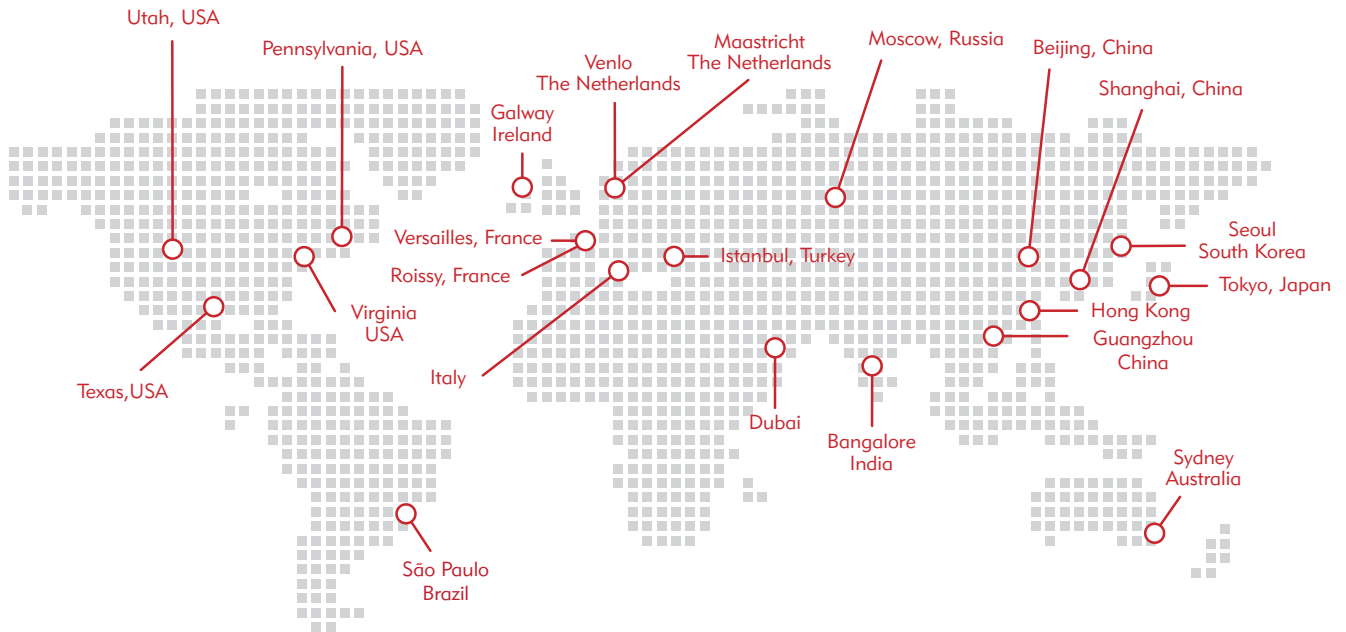
## Contrast Management

For more information, visit [www.MeritOEM.com/contrast-management](http://www.MeritOEM.com/contrast-management)



COMPONENTS | DEVICES | POSSIBILITIES™

Merit Medical Systems, Inc. (NASDAQ: MMSI) has been designing, manufacturing and marketing single-use medical devices to customers worldwide for over 25 years. Throughout its evolution to a successful global company, Merit has developed the organizational infrastructure required to succeed in a competitive, dynamic and highly regulated industry. Merit's OEM customers benefit not just from Merit's components and devices, but also from the organization that supports them.



Inside U.S. +1 800.637.4839

Outside U.S. +1 801.208.4313

Europe +31 43 358 82 24

[www.MeritOEM.com](http://www.MeritOEM.com)