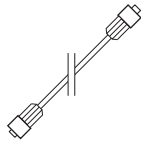
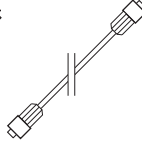
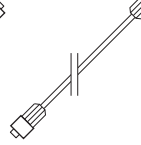
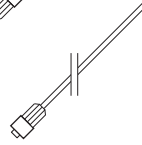
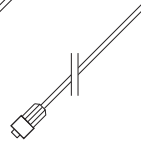
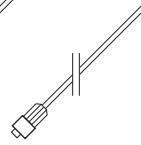
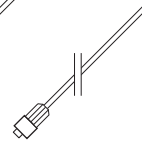
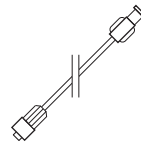
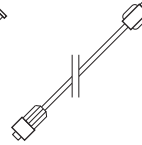
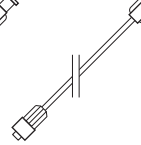
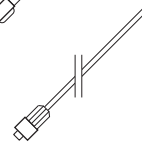
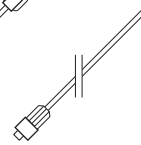
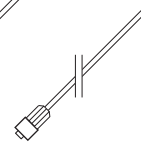


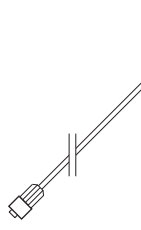
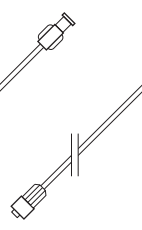
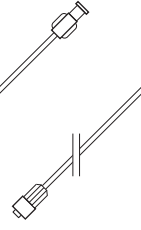
Pressure Monitoring Tubing

High Durometer, Non Expanding.

Material: PVC, Clear

							
Male to Male	6" Length (15cm)	12" Length (30cm)	24" Length (61cm)	36" Length (91cm)	48" Length (122cm)	60" Length (152cm)	72" Length (183cm)
	PM6006P	PM6012P	PM6024P	PM6036P	PM6048P	PM6060P	PM6072P

						
Male to Female	6" Length (15cm)	12" Length (30cm)	24" Length (61cm)	36" Length (91cm)	48" Length (122cm)	60" Length (152cm)
	PM6106P	PM6112P	PM6124P	PM6136P	PM6148P	PM6160P

			
Male to Female	72" Length (183cm)	84" Length (213cm)	96" Length (244cm)
	PM6172P	PM6184P	PM6196P



TUBING